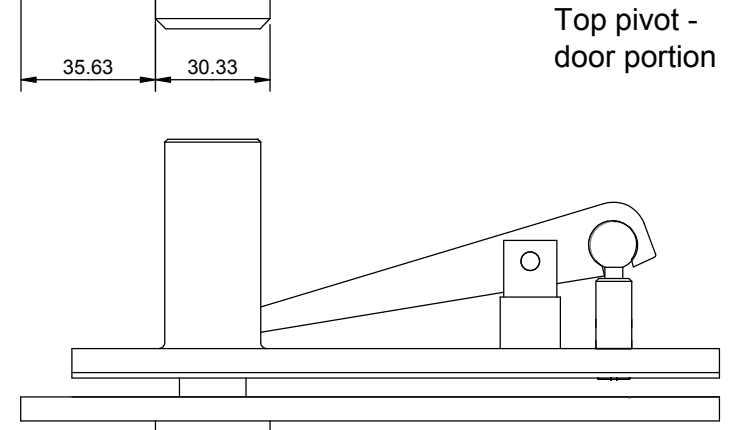
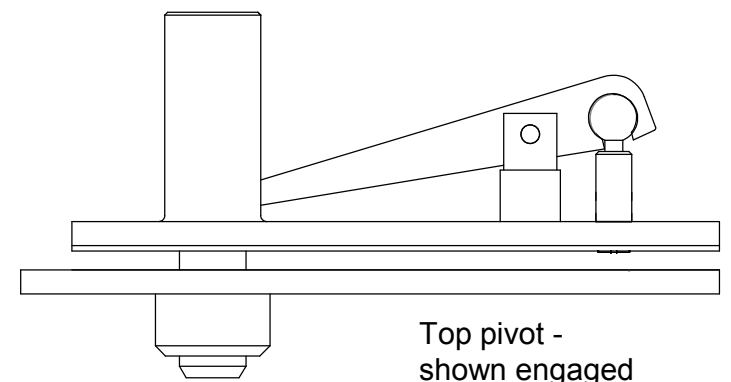


Top pivot - jamb portion



Top pivot - door portion



Top pivot - shown engaged (elevation only)

Notes -

Recommened to be used with doors fitted with UFSOH28 floor operator & H28 floor springs.  
For doors outside of these parameters contact WDC technical for assistance.

Revisions

Woodwood (Door Controls) Ltd

Tel: (01245) 490 333 Fax: (01245) 490 111  
email: engineering@woodwood.net web: www.woodwood.net

TITLE  
H345 top pivot - retractable  
top pivot with extra long spindle for larger heavier doors.

SIZE	DRAWN BY:	DWG NO	REV
A4	CW	DS/400/PV-1	

SCALE	DATE	SHEET
DNS	29-4-08	