

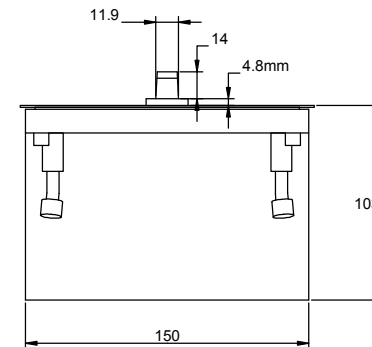
Product features:

- * Adjustable closing speed
- * Adjustable latch speed
- * Adjustable hydraulic backcheck
- * Maximum opening force at 25mm in from latch edge of a 1050mm wide door between 0 & 60 degrees = 22.5N
- * Closer has built in mechanical stop

Set cement case 3mm below FFL.

NOTE:

Floor box available for fixing into raised floor



Notes -

Maximum door weight = 150Kg
*Max door size = 1.2m x 2.6m

*For doors outside of these parameters contact WDC technical for assistance.

Door stop required at head of door.
Built-in positive dead stop prevents door swinging beyond desired opening 90 degrees standard (85, 95 or 105 degrees available)

Not suitable for fire doors.

Revisions

Woodwood (Door Controls) Ltd

Tel: (01245) 490 333 Fax: (01245) 490 111
email: engineering@woodwood.net web: www.woodwood.net

TITLE
RPM 328 Single action floor spring for centre pivoted doors, floor closer with low opening force to meet requirements of Part M of Building regulations when used with 1050mm door.

SIZE	DRAWN BY:	DWG NO	REV
A4	CW	DS/400/FS-2	
SCALE	DATE	SHEET	
DNS	29-4-08		